



Central Sports Trophy September Dinghy Series 2024

Royal Western Yacht Club of Ireland, Kilrush



1. RULES

The regatta will be governed by The Racing Rules of Sailing (RRS), the prescriptions of Irish Sailing and these Sailing Instructions including any amendments thereto. The Portsmouth Yardstick handicapping system rules shall apply.

2. ENTRIES

Competitors may enter by completing an online entry form and paying the relevant entry fee to the Royal Western Yacht Club of Ireland no later than 1700hrs on Saturday, 31st August, 2024.

3. NOTICE TO COMPETITORS

Notices to competitors will be posted on the noticeboard located in the clubhouse of the Royal Western Yacht Club of Ireland or on the event Whatsapp Group.

4. SIGNALS MADE ASHORE

4.1 Signals made ashore will be displayed on the club flagpole.

4.2 A briefing will be made not less than 30 minutes prior to racing each week.

5. SCHEDULE AND CLASS FLAGS

A competitors' briefing will be held at 1300hrs, Sunday 1st September, 2024. The warning signal for the first race will be at 1400hrs. Subsequent races will be held as soon as possible after the end of the previous race. The class flag will be as described at the briefing.

6. RACING AREA

The racing area will be in Kilrush Marina or in the Shannon Estuary and will be described clearly at the competitors briefing.

7. COURSES AND MARKS

The course may be a triangular course or windward/leeward course as described in Appendix A. The number of laps will be communicated prior to each race, all marks left to port. The marks will be the club cylindrical buoys or as described in the briefing. The pin end mark may be an orange cylinder. Changes to course will be posted on the event notice board or communicated at the briefing each week.

8. STARTING AND FINISHING LINES

The starting and finishing lines may be between the mast or red/white pole of the committee boat and the pin end mark. Each competitor must pass through the start/finish line in each windward leg. The start sequence will be described at the briefing.

9. TIME LIMIT

The time limit for each race shall be 45 minutes or 15 minutes from the finishing time of the first finisher whichever is later. This changes RRS 35.

10. INFRINGEMENTS

Infringements on the race course will result in a 2% time penalty. Infringements will be determined by the Race Committee. There will be no grounds for redress.

11. SCORING

11.1 Races shall be scored as per the low point scoring system.

11.2 Two races are required to complete a series.

11.3 Ten races are scheduled. When six races have been completed, a boat's series score will be the total of her race scores excluding her worst score. When eight races have been completed, a boat's series score will be the total of her race scores excluding her worst two scores.



Central Sports Trophy September Dinghy Series 2024

Royal Western Yacht Club of Ireland, Kilrush



12. PRIZES

Overall prizes will be given after the last race of the final weekend and after all the equipment is prepared for winter storage, weather permitting.

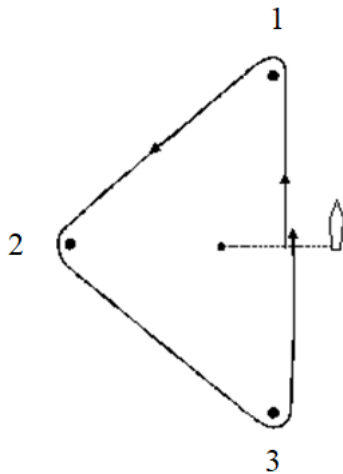
13. RUBBISH DISPOSAL

Boats shall not put rubbish in the water. Trash may be placed aboard support and race committee boats.

APPENDIX A

The diagram shows the courses and the order of marks to be rounded. All marks are left to port.

Triangle Course



Mark rounding sequence

Start, 1,2,3, **Gate**, 1,2,3, finish

Windward/Leeward Course



Mark rounding sequence

Start, 1,2, **Gate**, 1,2, finish