



September Dinghy Series 2022

Royal Western Yacht Club of Ireland, Kilrush



1. RULES

The regatta will be governed by *The Racing Rules of Sailing*, the prescriptions of Irish Sailing and the Sailing Instructions including any amendments thereto.

2. ENTRIES

Competitors may enter by completing an online entry form and paying the relevant entry fee to the Royal Western Yacht Club of Ireland no later than 2000hrs on Saturday, 3rd September, 2022.

3. NOTICE TO COMPETITORS

Notices to competitors will be posted on the noticeboard located in the noticeboard of the Royal Western Yacht Club of Ireland.

4. SIGNALS MADE ASHORE

No Signals will be made ashore. Any signals (postponement, shortening course, etc.) will be made afloat from the committee boat.

5. SCHEDULE AND CLASS FLAGS

A competitors' briefing will be held at 1000hrs, Sunday 4th September, 2022. The warning signal for the first race will be at 1100hrs. Subsequent races will be held as soon as possible after the end of the previous race. The class flag will be as described at the briefing.

6. RACING AREA

The racing area will be in Kilrush Marina and will be described clearly at the competitors briefing.

7. COURSES AND MARKS

The course may be a triangular course or windward/leeward course as described in Appendix A, with two laps of the course for all competitors, all marks left to port. The marks will be red buoys or as described in the briefing. The pin end mark may be an orange cylinder. Changes to course will be posted on event notice board.

8. STARTING AND FINISHING LINES

The starting and finishing lines may be between the mast or red/white pole of the committee boat and the pin end mark. As placings may apply each lap, each competitor must pass through the start/finish line in each windward leg. The start sequence will be described at the briefing.

9. INFRINGEMENTS

Infringements on the race course will result in a 30 second time penalty. Infringements will be determined by the Race Committee. There will be no grounds for redress.

10. SCORING

Eight races are scheduled. When six races have been completed, a boat's series score will be the total of her race scores excluding her worst score. When eight races have been completed, a boat's series score will be the total of her race scores excluding her worst two scores. One race will constitute a series.

11. PRIZES

Overall prizes will be given as follows: 1st and 2nd overall.

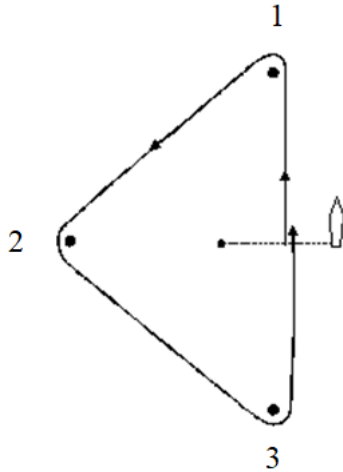
12. RUBBISH DISPOSAL

Boats shall not put rubbish in the water. Trash may be placed aboard support and race committee boats.

APPENDIX A

The diagram shows the courses and the order of marks to be rounded. All marks are left to port.

Triangle Course



Mark rounding sequence

Start, 1,2,3, **Gate**, 1,2,3, finish

Windward/Leeward Course



Mark rounding sequence

Start, 1,2, **Gate**, 1,2, finish